





DIGITAL VIDEO CAMERA
User's Manual

SKU# IRCAMERA
WATERPROOF BULLET B/W CAMERA
8 INFRARED LED's



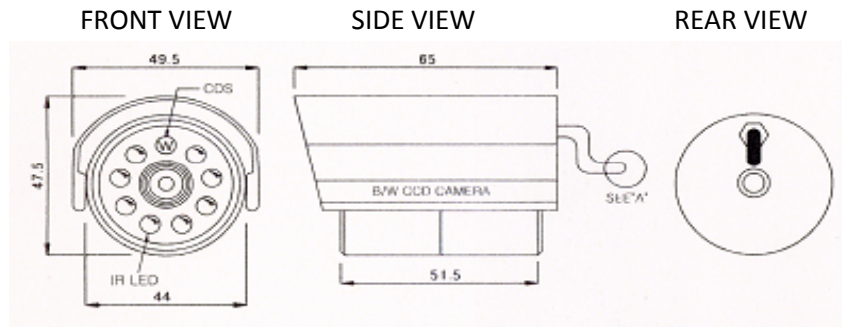
Warning & Attention

 **WARNING** 

Attention:
To reduce the danger of electric shock, please do not open the case (or back cover) of camera; everything needed for user operation is on the surface of the camera; please seek help from a qualified professional for repair.

Attention items:

- Do not touch CCD or lens
- Do not use any unidentified power supply
- Avoid installation in unstable places
- Do not use camera in the following conditions,
Temperature: -20°C/+50°C



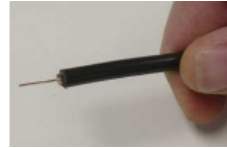
- Suggested mounting height 8'-12'
- Do not mount camera directly to a metal surface
- Do not point camera directly into light sources

Specification

Image Sensor	1/3" CCD
Effective Pixels	PAL:500(H)x582(V) NTSC:510(H)x492(V)
Sensor area	4.9mmx3.7mm
Signal system	PAL/NTSC
Horizontal resolution	420TVL
Minimum illumination	0Lux(IR LED ON)
Electronic shutter	Auto:1/50(1/60)-1/100,000Sec
S/N ratio	>48dB
Gamma	0.45
Lens	3.6mm
Video output	1.0Vp-p, 75Ω
IR wave length	850nm
Power supply	DV 12V±10%
Power consumption	less than 3.0W
IR distance	25-30M

Making a BNC Connection

Step 1: Strip away all of the cable and shielding so you have 1/2" of the center conductor exposed as shown in the picture.



Step 2: Then strip away the black outer jacket so you have 1/4" of the shielding exposed. Do not allow any of the copper shielding to touch the center conductor.

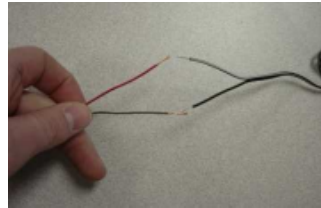


Step 3: Insert the cable into the fitting and gently find the hole for the center conductor before you press the fitting onto the wire. Now just twist the fitting onto the wire while firmly pressing down until the fitting is firmly on the cable.



Installing a power wire pigtail

Step 1: At the camera location, take the power cable and strip away the outer sheathing to expose the inner two wires (black & red). Then strip away about 1/4" of the wires jacket to expose the copper wire. Do the same to the power wire pigtail which connects to the camera power connection as shown. Note: Do not strip or cut the power lead coming directly from the camera. You should strip the "pigtail" power cable which came with your kit. You should have one "pigtail" for each camera.



Step 2: Now take the red power cable lead and twist it together with the black & white lead from the power pigtail. Now take the black lead from the power cable and twist it together with the all black lead from the pigtail. Use the gray wire nuts provided with your system and twist them onto the wires until they are firmly secured.



Connecting a Pre-made Cable

Connect this end to the camera.



The cables are labeled with a yellow wrap detailing the camera end and the DVR end. **It is very important that you identify these ends before installing the cable so that you have the correct ends at the correct location.**

Contact

EZWATCHPRO

www.ezwatch-security-cameras.com

Phone/Fax

Technical Support/Sales

Toll Free 1-866-241-3400

International 001-801-4783980

Fax 1-801-295-2191

Mail

Main Office/Mailing Address

Automated Video Systems

1600 S. State Street

Salt Lake City, UT 84115